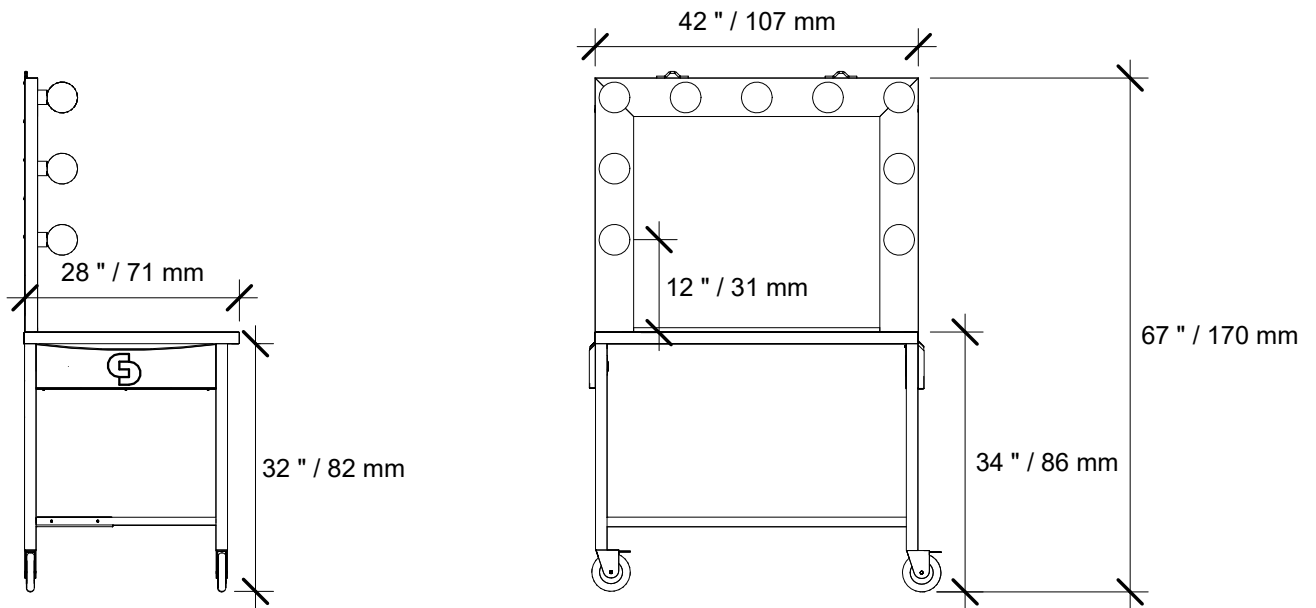


AUDREY 42" STATION



MEASUREMENTS: 27" X 42" X 67" 68.5 CM X 106.68 CM X 170.18 CM

WEIGHT (TABLE): 145 LBS / 65.77 KG

PARTS FOR ASSEMBLY

10 EA, 14 MM X 20 MM BOLTS

4 EA, 14 MM NUTS

14 EA, 14 MM WASHERS

1 EA, 17 MM CASTER WRENCH

1 EA, NORTH AMERICAN GDNF NF027 10A 125V POWER CORD

BULBS

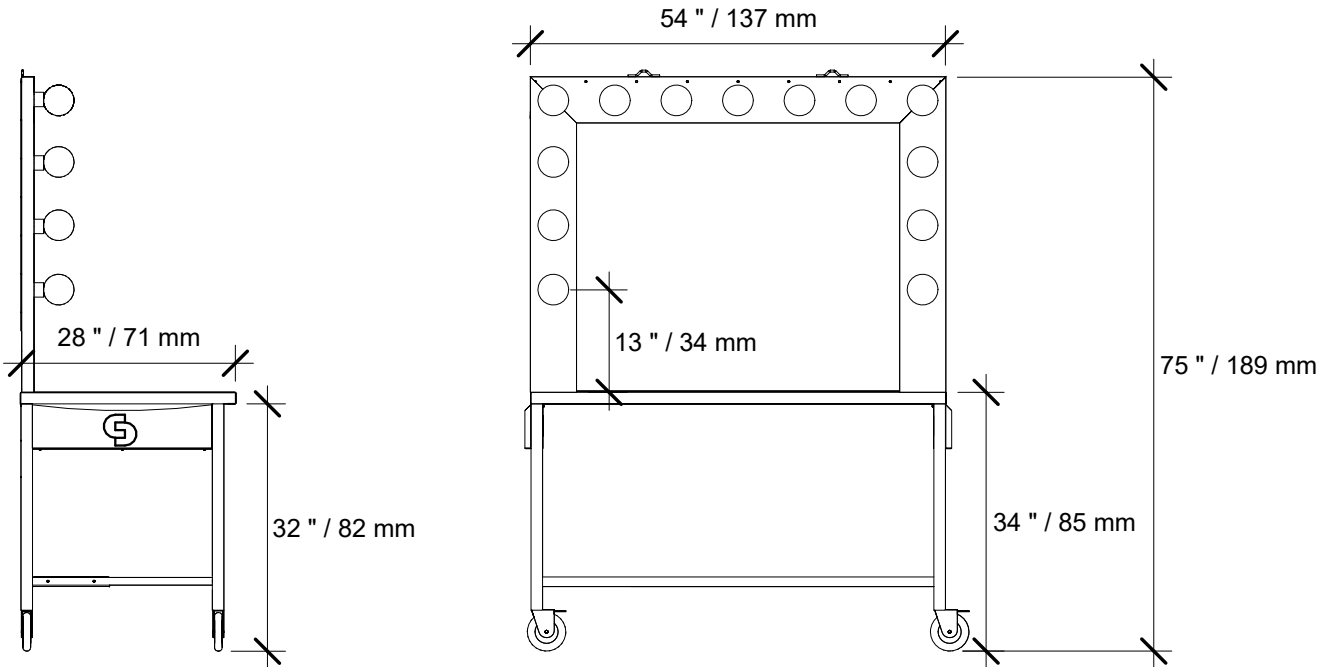
LIGHT RECEPTACLES ARE AN E26 STANDARD LAMBASE. BULBS INCLUDED WITH EACH STATION ARE: 120V 8W CCT: 2700K E27 DIMMABLE LED BULB

CRATE

MEASUREMENTS: 24" X 45" X 48" 60.9 CM X 114.3 CM X 121.9 CM

WEIGHT (TABLE & CRATE): 210 LB / 95.25 KG

SOPHIA 54" STATION



MEASUREMENTS: 27" X 54" X 75" 68.5 CM X 137.16 CM X 190.5 CM

WEIGHT (TABLE): 165 LBS / 74.84 KG

PARTS FOR ASSEMBLY

10 EA, 14 MM X 20 MM BOLTS

4 EA, 14 MM NUTS

14 EA, 14 MM WASHERS

1 EA, 17 MM CASTER WRENCH

1 EA, NORTH AMERICAN GDNF NF027 10A 125V POWER CORD

BULBS

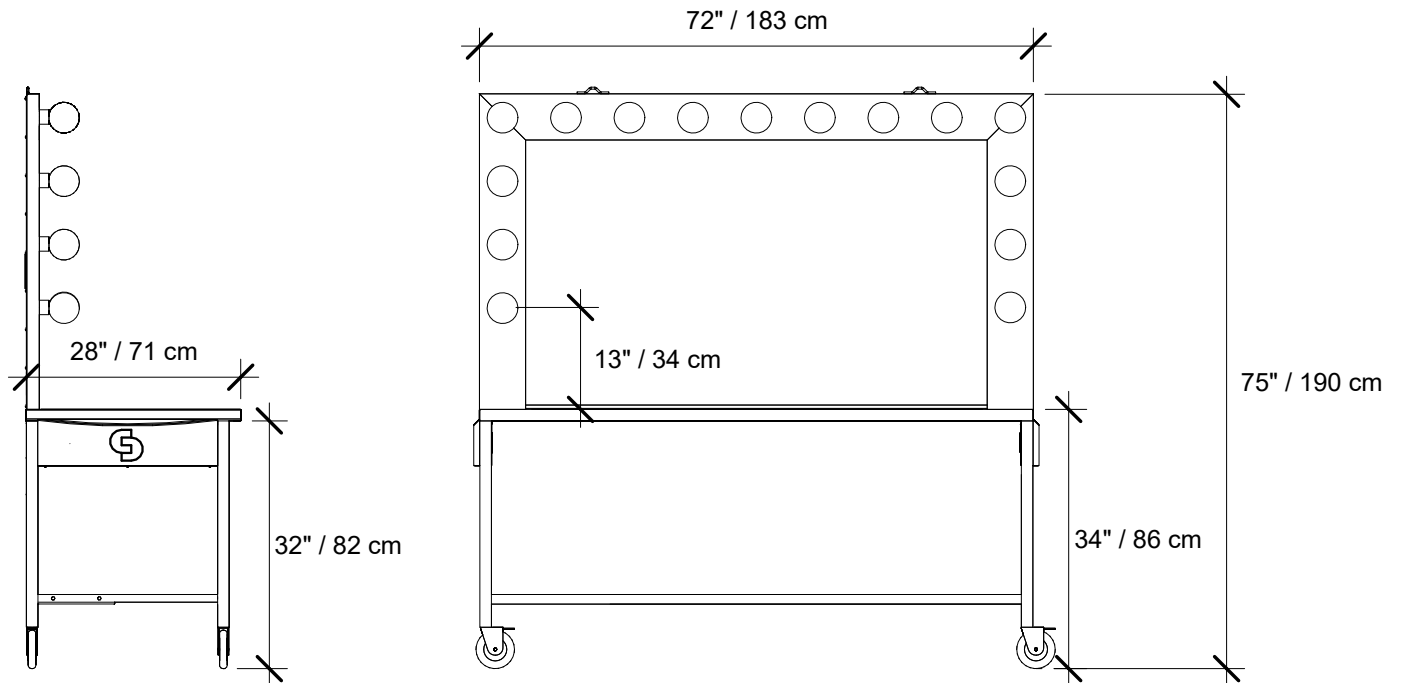
LIGHT RECEPTACLES ARE AN E26 STANDARD LAMBASE. BULBS INCLUDED WITH EACH STATION ARE: 120V 8W CCT: 2700K E27 DIMMABLE LED BULB

CRATE

MEASUREMENTS: 14" X 57" X 48" 35.56 CM X 144.78 CM X 121.9 CM

WEIGHT (TABLE & CRATE): 230 LB / 104.32 KG

MARILYN 72" STATION



MEASUREMENTS: 27" X 72" X 75" 68.5 CM X 182.88 CM X 190.5 CM

WEIGHT (TABLE): 190 LBS / 86.18 KG

PARTS FOR ASSEMBLY

10 EA, 14 MM X 20 MM BOLTS

4 EA, 14 MM NUTS

14 EA, 14 MM WASHERS

1 EA, 17 MM CASTER WRENCH

1 EA, NORTH AMERICAN GDNF NF027 10A 125V POWER CORD

BULBS

LIGHT RECEPTACLES ARE AN E26 STANDARD LAMBASE. BULBS INCLUDED WITH EACH STATION ARE: 120V 8W CCT: 2700K E27 DIMMABLE LED BULB

CRATE

MEASUREMENTS: 14" X 76" X 48" 35.6 CM X 193.04 CM X 121.9 CM

WEIGHT (TABLE & CRATE): 290 LB / 131.54 KG