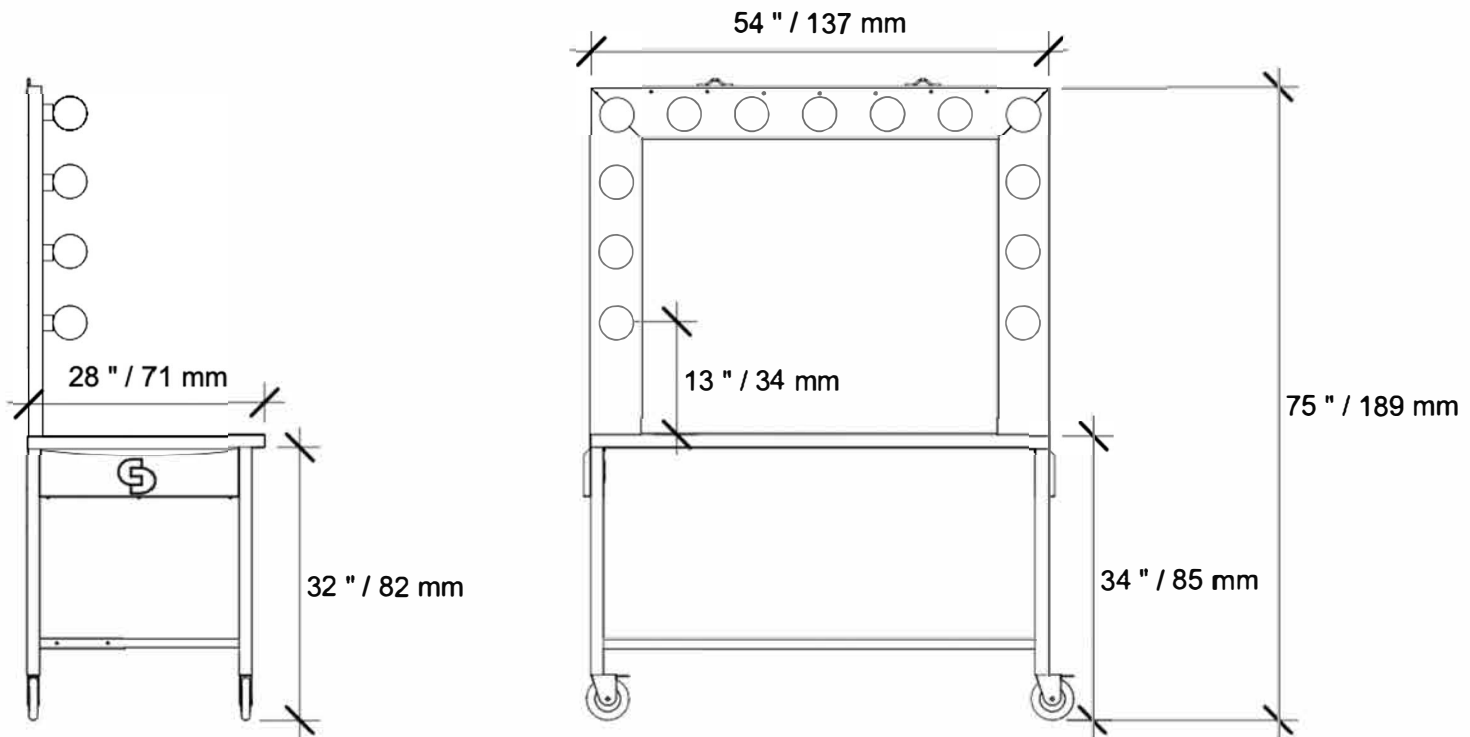
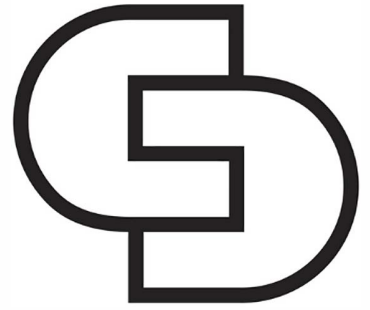


# 2024 54" SOFIA STATION Specification Sheet



**STATION MEASUREMENTS:** 27" X 54" X 75" / 68.5 CM X 137.16 CM X 190.5 CM

**STATION WEIGHT:** 241.40 LBS / 109.5 KG

### **PARTS FOR ASSEMBLY**

4 FLANGE NUTS (13 MM)

10 FLANGE BOLTS (13 MM X 20 MM)

4 FLANGE BOLTS (9MM)

2 MIRROR ASSEMBLY ARMS

1 CASTER ASSEMBLY WRENCH (17 MM & 13 MM)

1 NORTH AMERICAN GDNF NF027 10A 125V POWER CORD

### **BULBS**

LIGHT RECEPTACLES ARE AN E26 STANDARD LAMBASE. BULBS INCLUDED WITH EACH STATION ARE: 120V 8W CCT: 2700K E27 DIMMABLE LED BULB

### **CRATE MEASUREMENTS**

17.75" X 56.675" X 48.5" / 45 CM X 143.95 CM X 123.19 CM

WEIGHT (TABLE & CRATE): 331 LB / 159 KG