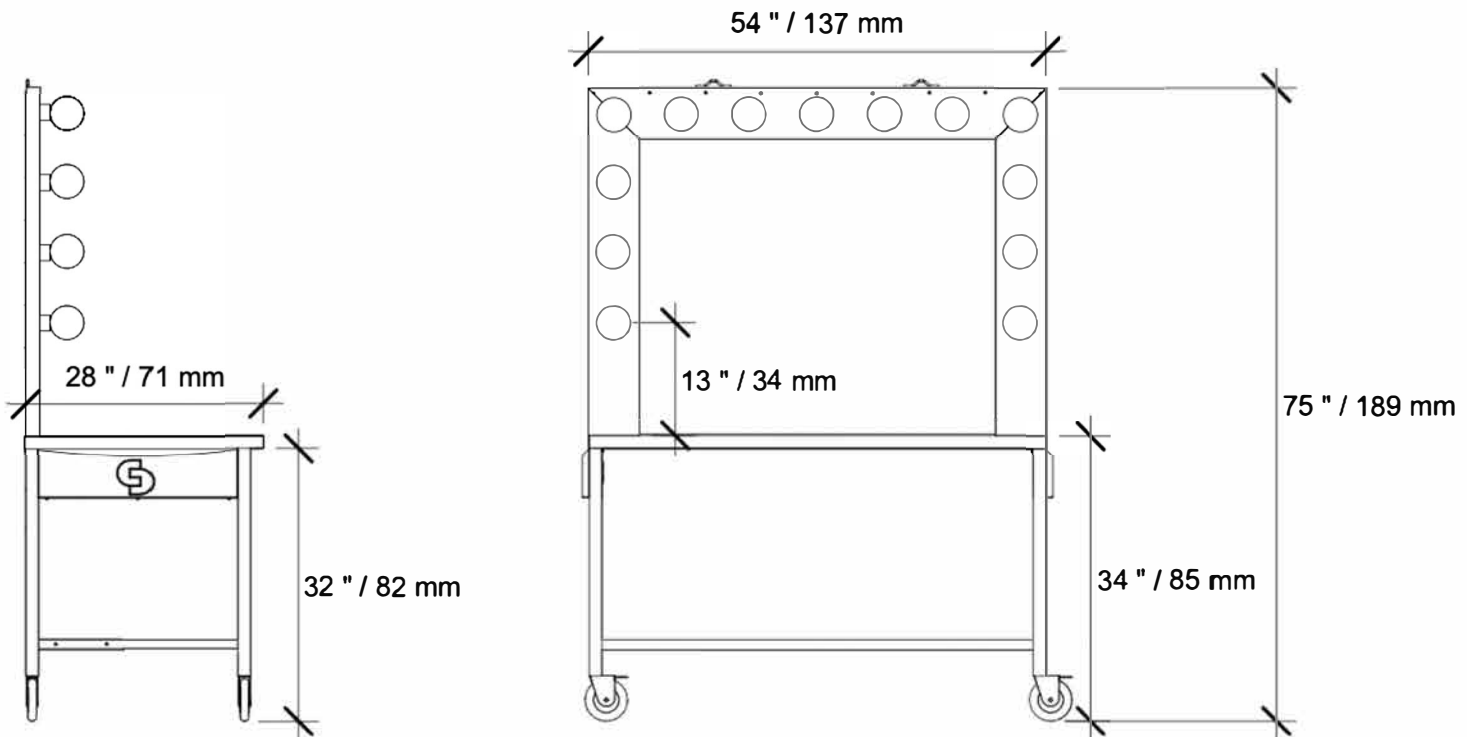


2023

54" SOFIA STATION

Specification Sheet



MEASUREMENTS: 27" X 54" X 75" **WEIGHT (TABLE):** 165 LBS / 74.84 KG

PARTS FOR ASSEMBLY

10 EA, 13 MM X 20 MM BOLTS

4 EA, 13 MM NUTS

14 EA, 13 MM WASHERS

1 EA, 17 MM CASTER WRENCH

1 EA, NORTH AMERICAN GDNF NF027 10A 125V POWER CORD

BULBS

LIGHT RECEPTACLES ARE AN E26 STANDARD LAMBASE. BULBS INCLUDED WITH EACH STATION ARE: 120V 8W CCT: 2700K E27 DIMMABLE LED BULB

CRATE

MEASUREMENTS: 14" X 57" X 48" 35.56 CM X 144.78 CM X 121.9 CM

WEIGHT (TABLE & CRATE): 230 LB / 104.32 KG

68.5 CM X 137.16 CM X 190.5 CM